

# SMARTRACING™ PRODUCTS

A Company Developing Smart Racing  
Products Through Engineering

Quick Release – Part No. 722100

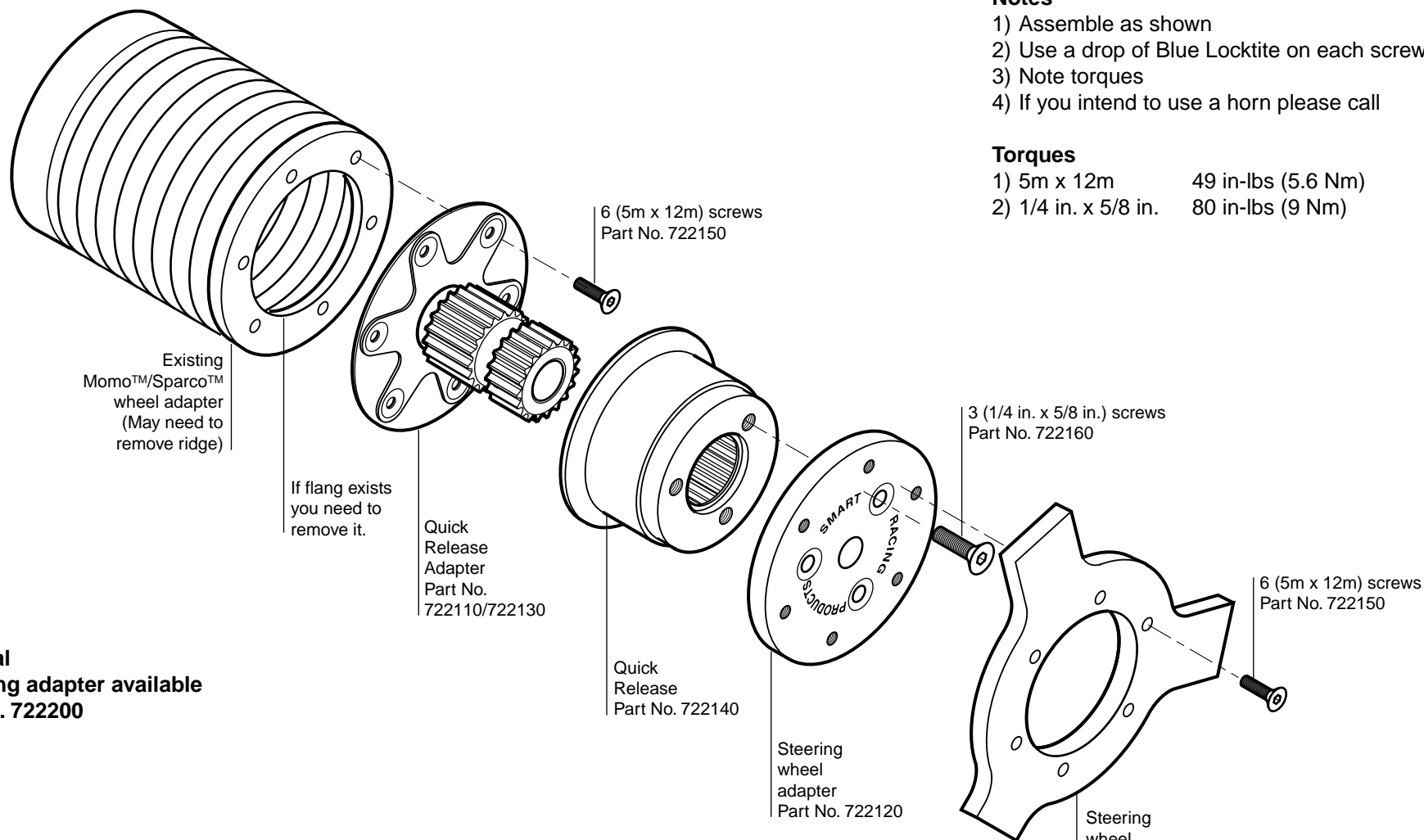
## Quick Release Steering Wheel Adapter Assembly Sequence for Momo™/Sparco™ Steering Wheels

### Notes

- 1) Assemble as shown
- 2) Use a drop of Blue Locktite on each screw
- 3) Note torques
- 4) If you intend to use a horn please call

### Torques

- |                      |                    |
|----------------------|--------------------|
| 1) 5m x 12m          | 49 in-lbs (5.6 Nm) |
| 2) 1/4 in. x 5/8 in. | 80 in-lbs (9 Nm)   |



**Optional  
Horn ring adapter available  
Part No. 722200**

Questions or comments please call 408.369.9997 or FAX 408.369.9741  
www.smartracingproducts.com