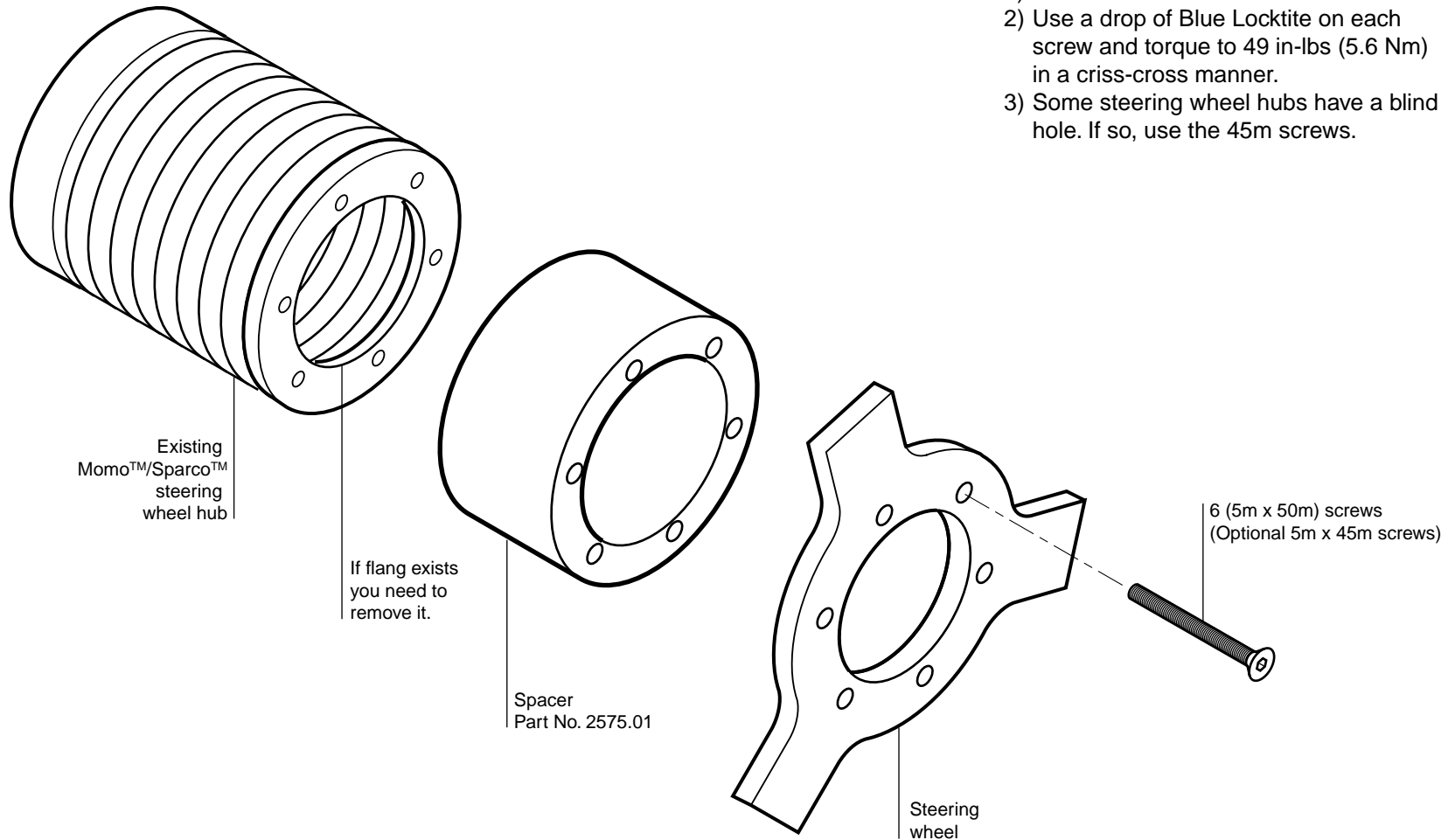


SMARTRACING™ PRODUCTS

A Company Developing Smart Racing
Products Through Engineering

Steering Wheel Spacer
Part No. 721100



Installation Instructions Steering Wheel Spacer

Notes

- 1) Assemble as shown
- 2) Use a drop of Blue Locktite on each screw and torque to 49 in-lbs (5.6 Nm) in a criss-cross manner.
- 3) Some steering wheel hubs have a blind hole. If so, use the 45m screws.

Questions or comments please call 408.369.9997 or FAX 408.369.9741
www.smartracingproducts.com