

SMARTRACING™ PRODUCTS

A Company Developing Smart Racing
Products Through Engineering

Bilstein Strut with Coil-Over Springs using Stock Top Mounts Part No. 423100

General Overview:

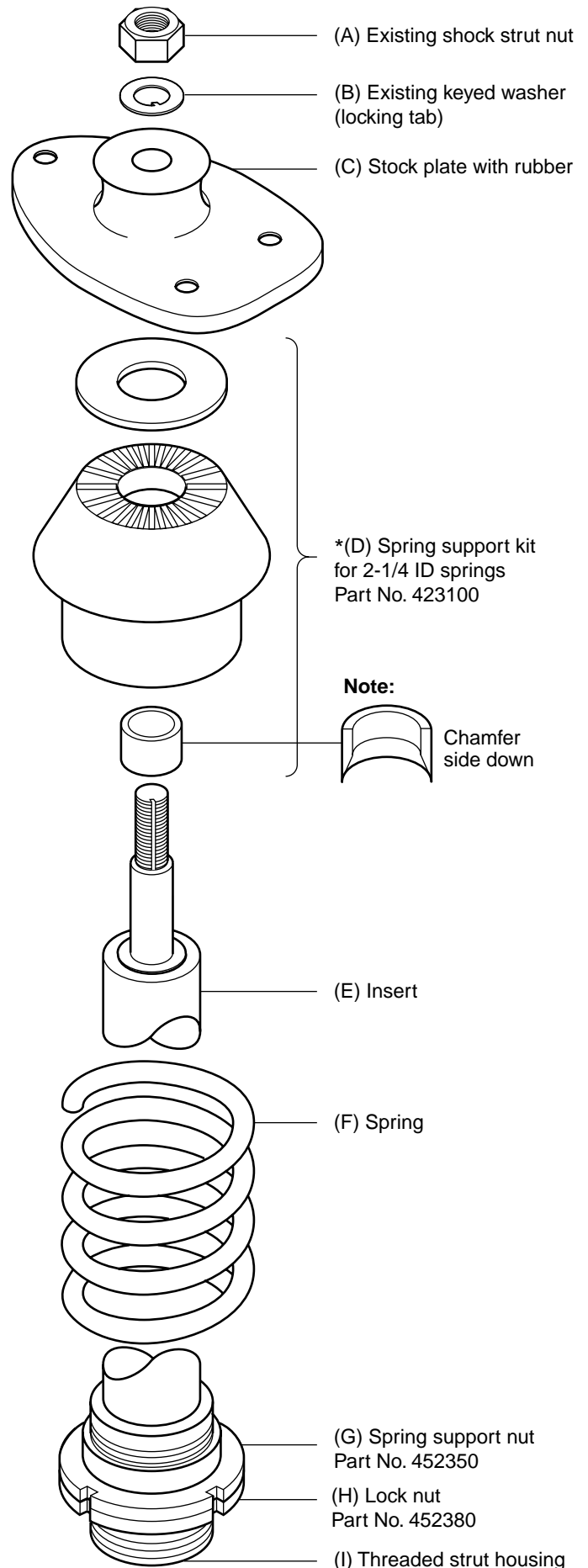
To provide an upper spring support for any Bilstein strut being converted to coil-overs using the stock upper mount with the factory rubber and steel sleeve.

Note: our floating spring support is designed for 2-1/4" ID springs

Assembly:

- 1) Follow the illustration sequence.
- 2) Make sure the chamfer on the Spring Support Guide is facing down.
- 3) Tighten upper shock nut (A) to 35 Nm (25 ft-lbs) and bend locking tab (B) into place.

If you have any questions or concerns, please do not hesitate to contact us.



Questions or comments please call 408.369.9997 or FAX 408.369.9741

www.smartracingproducts.com

423100.ILL Rev 2