

SMARTRACING™ PRODUCTS

A Company Developing Smart Racing
Products Through Engineering

911 Solid Mounts – Part No. 191011

Overview:

Thank you for purchasing our solid motor mounts. The advantages of solid mounts are many; they stiffen the rear of the car by tying the longitudinals together which adds a modest amount of torsional stiffness. They also increase the reaction time of both acceleration and deceleration because the engine and transaxle are more positively held and finally, they help the shifting process, again, because the assembly is more positively held. The down sides? More noise gets to the driving compartment and increased vibration. But the benefits for a track car are worth that. Some of our customers even use them on street driven cars and like the feel of them. They are designed to simply replace the existing mounts and use the factory hardware.

Installation:

- 1) Remove one mount at a time and replace each mount individually.
- 2) Retorque the 12mm bolts to 55 ft-lbs., the 8mm bolts to 16 ft-lbs.

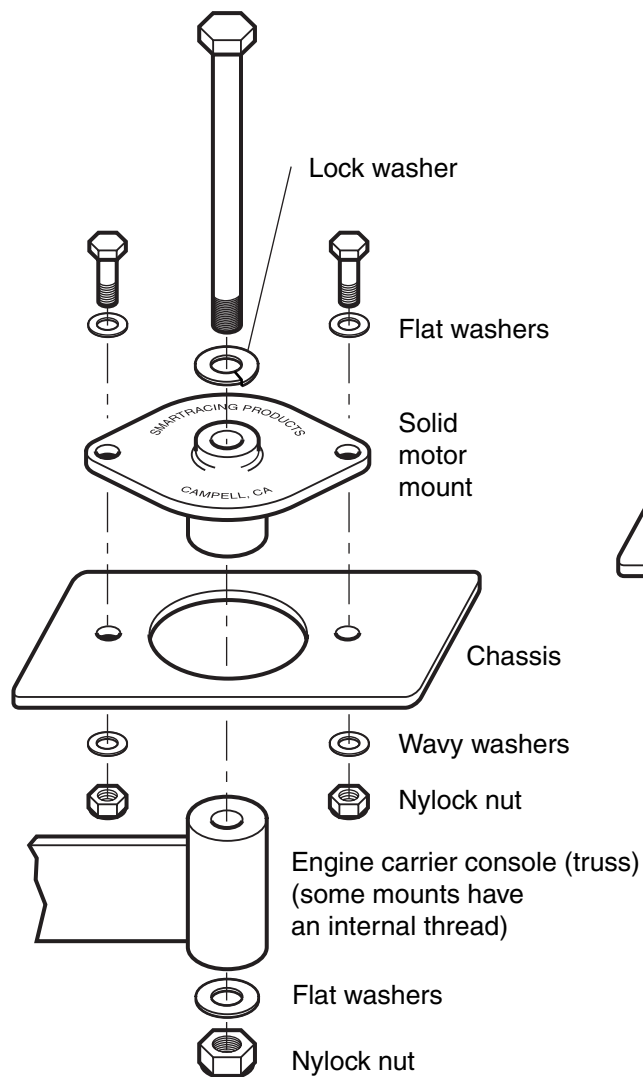
Hint:

When you are running the fasteners down and there seems to be a gap between the cross member and the motor mount, then loosen the four 10mm bolts of the Engine Carrier Console (at the rear of the engine), then tighten the eight 8mm bolts, then the two 12mm bolts at the transaxle mounts, and then retighten the Carrier Console bolts (to 30 ft-lbs.). This will allow the engine to rotate and find its own natural center line.

- 3) Make sure all of the tools are out of the engine compartment and enjoy!

Installation Instructions for Part No. 191011

Engine Mount



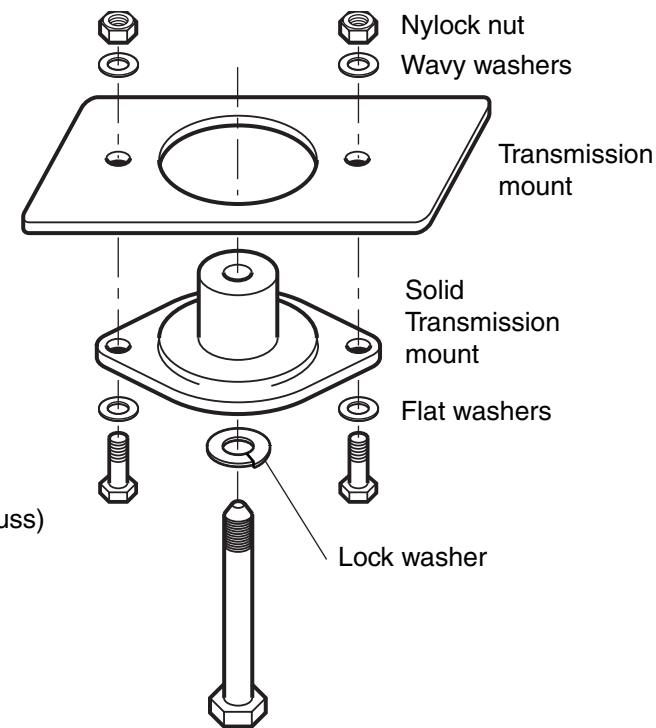
911 Solid Engine and Transmission Mounts for

1965-1971 2 of Part No. 191011
1 of Part No. 191021

1972-1986 4 of Part No. 191011

1987-1989 2 of Part No. 191011
1 of Part No. 191041

Transmission Mount



Questions or comments please call 408.369.9997 or FAX 408.369.9741
www.smartracingproducts.com