

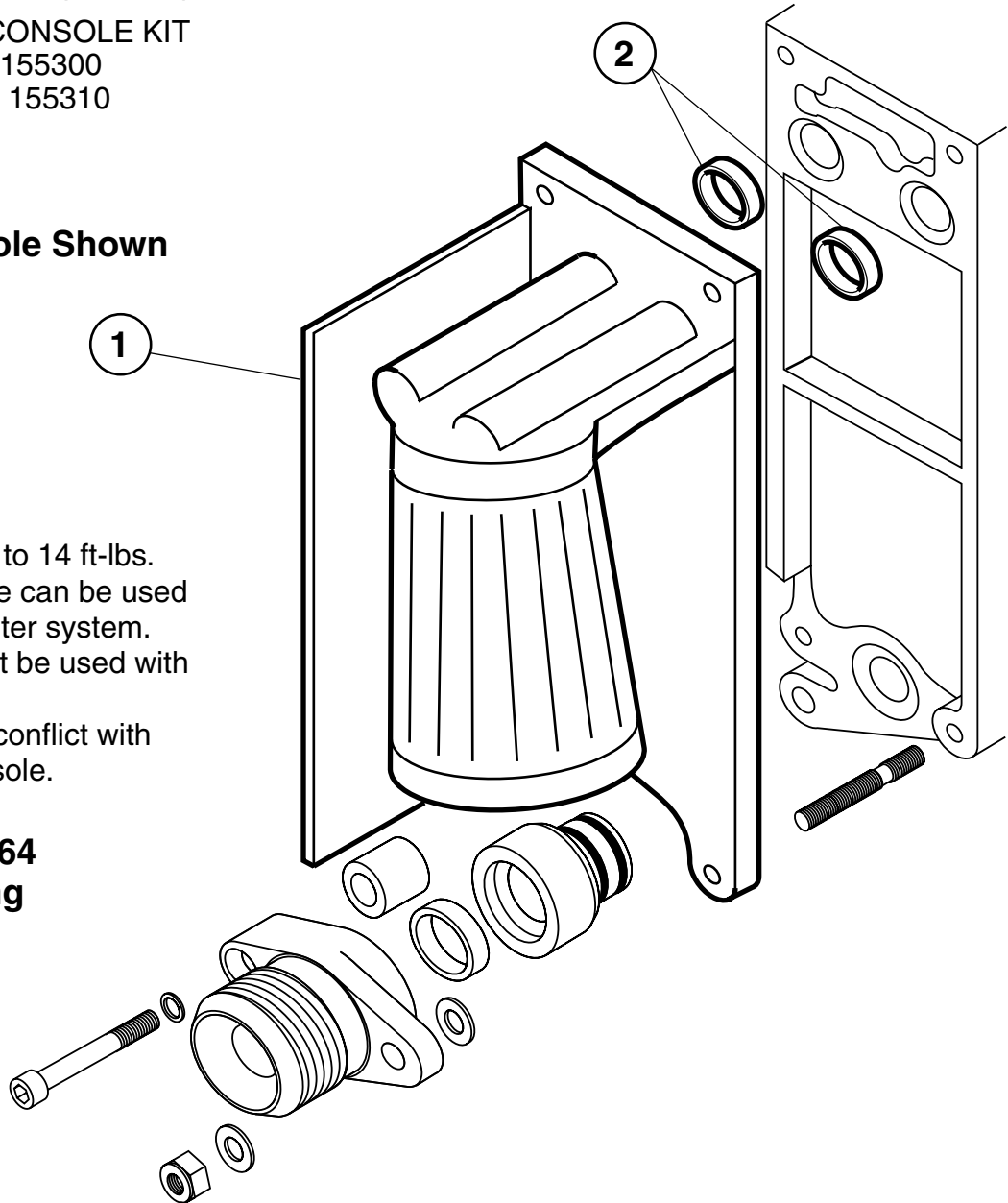
# SMARTRACING™ PRODUCTS

## 993 OIL FILTER CONSOLE KIT

A Company Developing Smart Racing  
Products Through Engineering

993 OIL FILTER CONSOLE KIT  
0° Part No. 155300  
15° Part No. 155310

### 15° Oil Filter Console Shown



#### Notes:

- 1) Torque all fasteners to 14 ft-lbs.
- 2) Only the 15° console can be used with the System 1 filter system.
- 3) The 0° console must be used with stock filter.
- 4) RSR style headers conflict with the 15° oil filter console.

**Installation on a 964 requires machining for the oil filter in and out holes and engine main inlet.**

Item	SRP Part No.	Part Name	Quantity
1	155300	0° Tilt Oil Filter Console	1
-	155310	15° Tilt Oil Filter Console	1
2	155211	Oil Seal Ring	2

Questions or comments please call 408.369.9997 or FAX 408.369.9741  
www.smartracingproducts.com