

SMARTRACINGTM

PRODUCTS

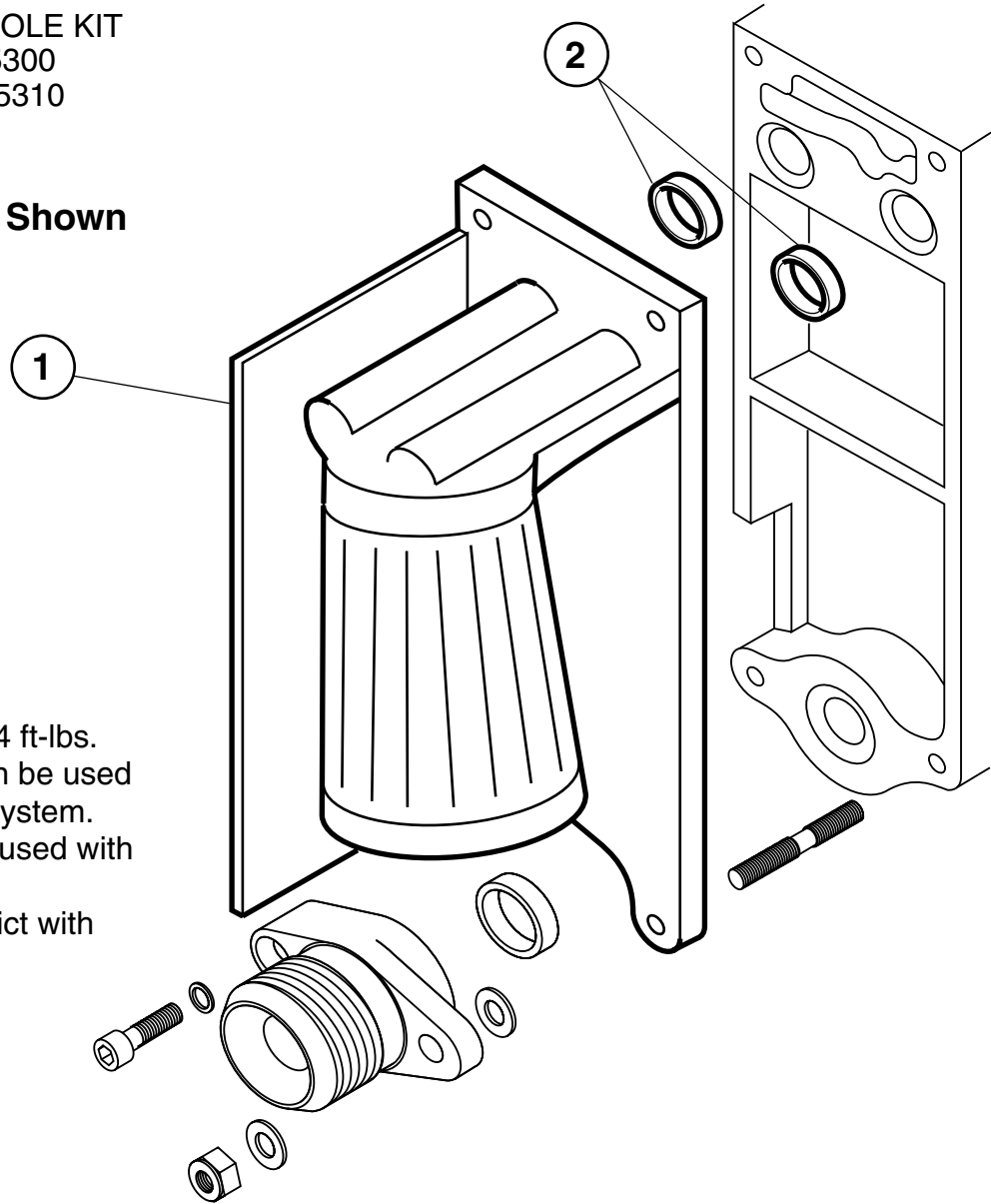
A Company Developing Smart Racing Products Through Engineering

911 OIL FILTER CONSOLE KIT
 0° Tilt Part No. 155300
 15° Tilt Part No. 155310

911 OIL FILTER CONSOLE KIT

0° Tilt
 15° Tilt

15° Oil Filter Console Shown



Notes:

- 1) Torque all fasteners to 14 ft-lbs.
- 2) Only the 15° console can be used with the System 1 filter system.
- 3) The 0° console must be used with stock filter.
- 4) RSR style headers conflict with the 15° oil filter console.

Item	SRP Part No.	Part Name	Quantity
1	155300	0° Tilt Oil Filter Console	1
-	155310	15° Tilt Oil Filter Console	1
2	155211	Oil Seal Ring	2

Questions or comments please call 408.369.9997 or FAX 408.369.9741
www.smartracingproducts.com