

# **SMARTSTRINGS™**



*Add the  
Reel  
to your  
tool!*



## **SMARTRACING™** **P R O D U C T S**

***A Company Developing Smart Racing  
Products Through Engineering***

491 McGlincey Lane No. 4, Campbell, CA 95008

Questions or Comments Please Call

800.383.0808 or 408.369.9997

Fax 408.369.9741

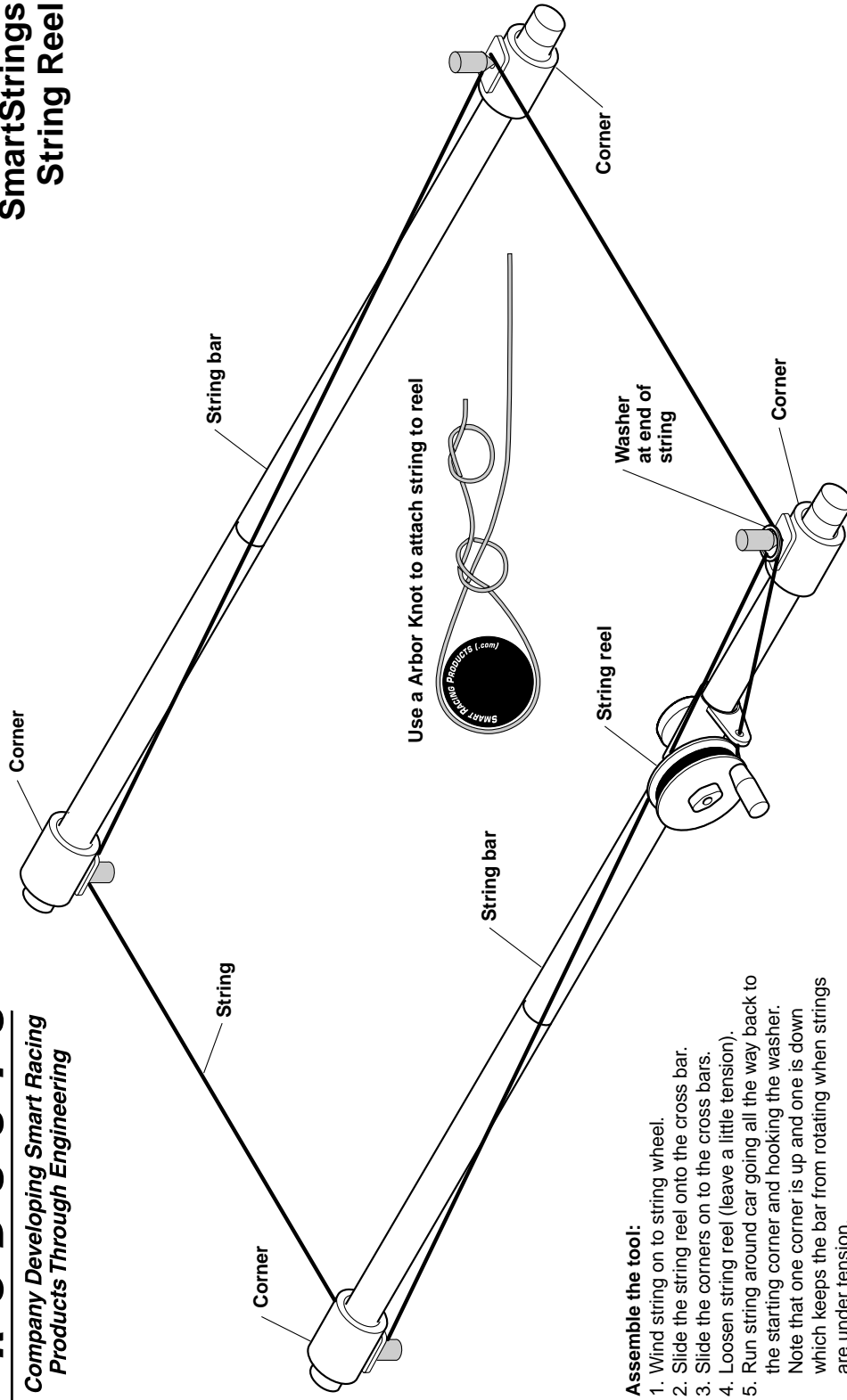
[www.smartracingproducts.com](http://www.smartracingproducts.com)

# SMARTRACING™

## PRODUCTS

A Company Developing Smart Racing  
Products Through Engineering

## Instructions SmartStrings String Reel



### Assemble the tool:

1. Wind string on to string wheel.
  2. Slide the string reel onto the cross bar.
  3. Slide the corners on to the cross bars.
  4. Loosen string reel (leave a little tension).
  5. Run string around car going all the way back to the starting corner and hooking the washer.  
Note that one corner is up and one is down which keeps the bar from rotating when strings are under tension.
5. Put tension on string and tighten reel lock.

Questions or comments please call 408.369.9997 or FAX 408.369.9741

[www.smarttracingproducts.com](http://www.smarttracingproducts.com)

000000.ILL Rev 1